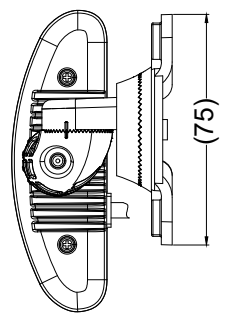
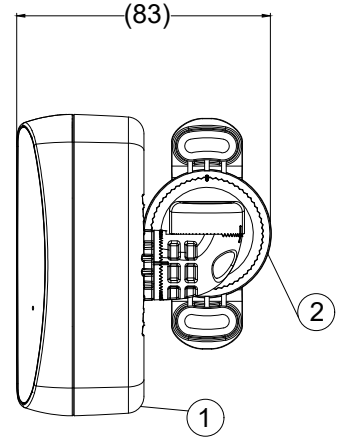
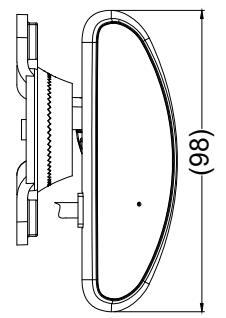
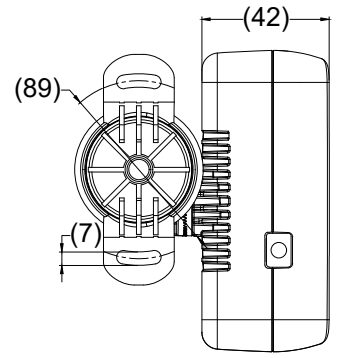
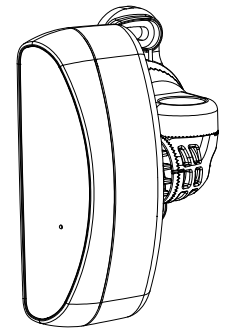
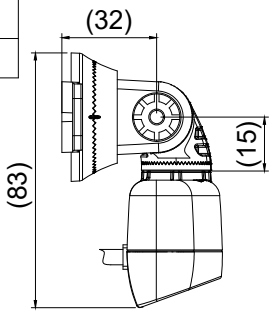
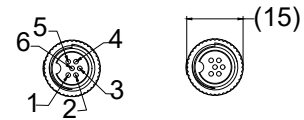


ITEM	PART NO.	MODEL NO.	DESCRIPTION	SYSTEM CONTENTS
				IP-DFC-AI-AP-01 (8089)
1	8074	IP-DFC-AI-01-C	IP AI - DRIVER FACING, AUDIO CAMERA ONLY	1
2	8077	DFC-BRKT-AP-01	A-PILLAR MOUNTING BRACKET	1
3	8084	DFC-BRKT-AP-01-FIX	A-PILLAR MOUNTING BRACKET-FIXING KIT (NOT SHOWN)	1
4	8087	IP-DFC-AI-01 QR LINK CARD	IP-DFC-AI-01 QR LINK CARD (NOT SHOWN)	1

Revision Notes.				
APA:	Drawn:	Checked:	Approved:	Date:

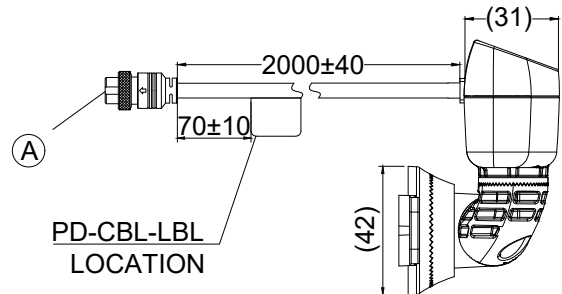


**VIEW A**



**6 PIN FEMALE MATING FACE**

PIN #	WIRE COLOUR	DESCRIPTION
1	ORANGE	TX-
2	WHITE	TX+
3	RED	+12V
4	GREEN	RX-
5	YELLOW	RX+
6	BLACK	GND



- NOTES:**
- FOR PRODUCT LABELS AND PACKAGING DETAILS REFER TO MASTER BOM.
  - REFER TO PRODUCT SPECIFICATION (PS) FOR MORE PRODUCT DETAILS.
  - FOR INSTALLATION DETAILS REFER TO 'INSTALLATION GUIDE'.
  - FIRMWARE VERSION DFC\_E04.526\_V3.3.28\_RC24092770 TO BE PRE-LOADED TO THE MAIN BOARD.
  - ANY CUSTOMER MODIFICATION OF THIS PRODUCT CAUSING SUBSEQUENT FAILURE IS NOT A LIABILITY OF BRIGADE ELECTRONICS PLC.

**PROPRIETARY NOTICE**  
 THIS DESIGN AND TECHNICAL INFORMATION APPEARING ON THIS DRAWING IS THE PROPERTY OF BRIGADE ELECTRONICS, AND IS DISCLOSED IN CONFIDENCE. IT IS NOT TO BE COPIED, REPRODUCED, REVEALED TO OR EXPROPRIATED BY OTHERS, EITHER IN WHOLE OR IN PART WITHOUT THE EXPRESS WRITTEN CONSENT OF BRIGADE ELECTRONICS.



Assembly Pl Approval KANE JIANG	Approved by SOFIA ZHANG	Checked by F.ADEMUJIMI	Drawn by R.TIMMS
Angle of Projection 	Units mm	Scale N/A	Released 24.10.2024
Status RELEASED	Part No 8089	Assembly Ref IP-DFC-AI-AP-01 BE-004926-00-24	